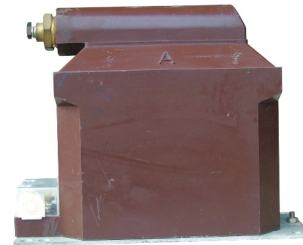
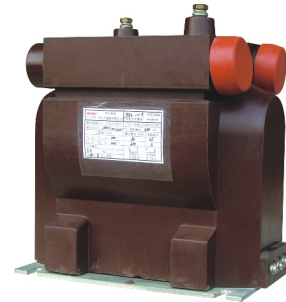


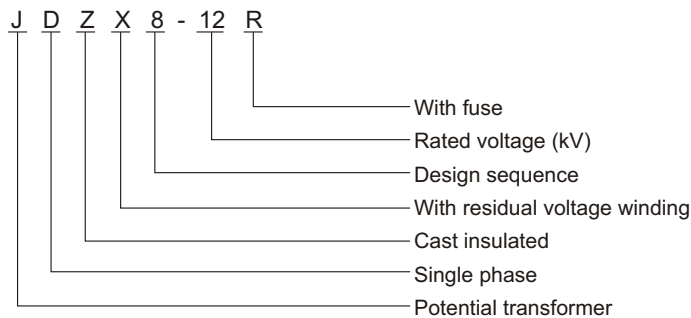
## JDZ(X)8-12R Voltage Transformer

### Summary

These series of potential transformer are single phase and full enclosed of casting resin. They are used for measuring electric energy, voltage control and relay protection in the electric non-useful-ground neutral system up to rated frequency 50Hz or 60Hz and rated voltage 12kV. The transformers can be executed according to the standards IEC60044-2 and GB1207-2006.



### Model



### Structure feature

The types of potential transformers have much merit, such as: electric arc resistance, ultraviolet ray and aging resistance, long creepage distance, little partial discharge and large caliber of resistance to over-voltage. The primaries of the products are protected with fused. The fused is installed inside the transformer, The fusible cutout's fused current can match the transformers short-circuit force.

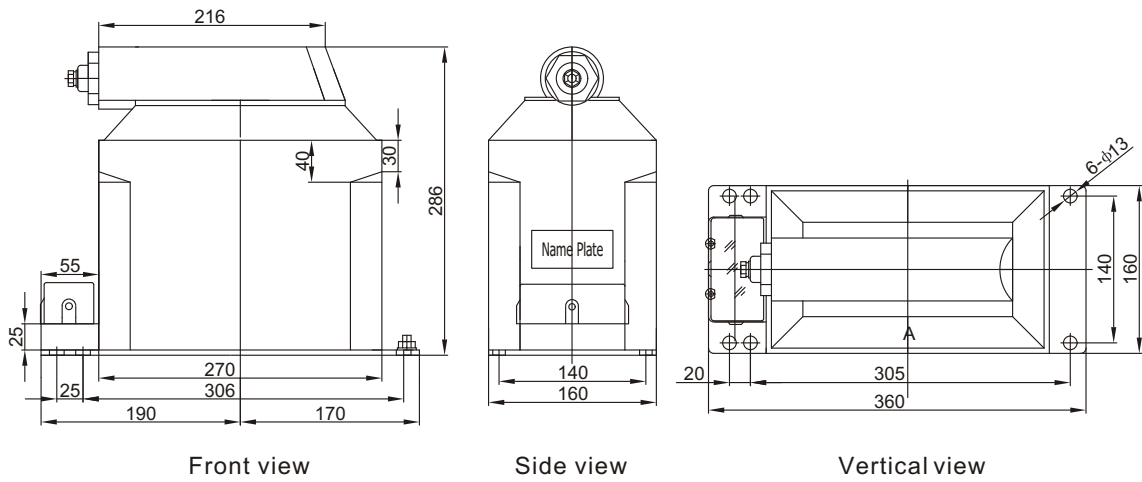
### Technical specification

- The fuse type: JDZ8-10R: XRNP□-12, 0.2A,50kA. JDZX8-12R: XRNP□-12 type, 0.5A, 50kA(If special need, please notice when order);
- If being requested to connect the computer, the secondary load of class 0.2 or 0.5 class can up to 1VA.

Type	Rated voltage ratio(V)	Accuracy class and rated output(VA)				Limit output(VA)	Rated insulation level(kV)
		0.2	0.5	1	6P		
JDZ8-12R	3000/100 or 3000/220	30	50	100		500	3.6/25/40
	6000/100 or 6000/220						7.2/32/60
	11000/110 or 11000/220						12/42/75
JDZ8-12R	3000/√3/100/√3/100/3	20	40	100	50	300	3.6/25/40
	6000/√3/100/√3/100/3						7.2/32/60
	11000/√3/110/√3/110/3						12/42/75

## Outline dimension

JDZX8-10R Outline dimension



JDZ8-10R Outline dimension

