

FZW39-27.5/2000-20 Outdoor AC High Voltage Disconnect Vacuum Load Break Switch

Summary

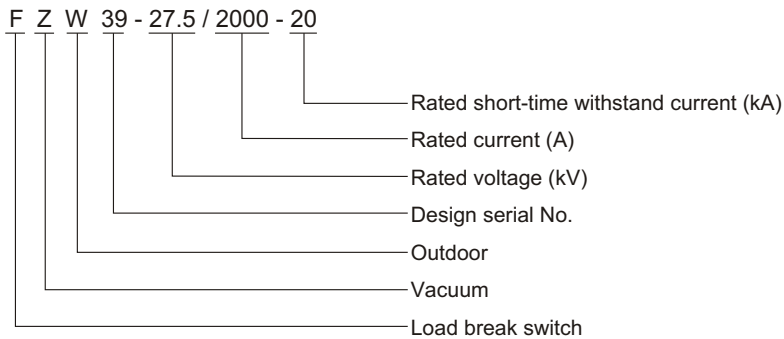
FZW39-27.5/2000-20 outdoor AC high voltage disconnect vacuum load break switch is applicable for 27.5kV or below, 2000A 50/60Hz electrical railway line as control apparatus. it can make and break rated or below load current, rated cable charging current and rated short-circuit current. It can keep series power-on operating, inverse power-supply, isolate fault section and supply power beyond area, etc. It accords with standards of IEC62271-103 High voltage switches.



Ambient condition

1. Altitude: $\leq 1000\text{m}$;
2. Ambient temperature: $-40^{\circ}\text{C} \sim +40^{\circ}\text{C}$;
3. Earthquake intensity: ≤ 8 degree;
4. Air pressure: $\leq 700\text{Pa}$, (equivalent with wind speed at 34m/s);
5. Ice thickness: $\leq 10\text{mm}$.

Model

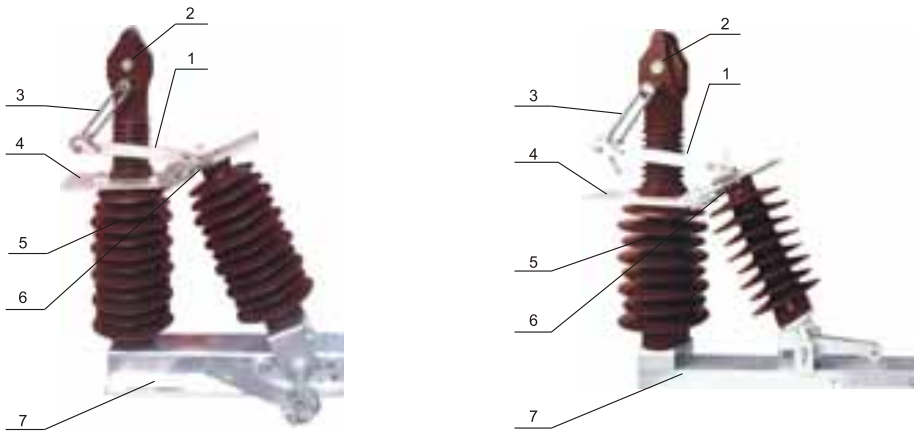


Technical specification

No.	Item		Unit	Data
1	Rated voltage		kV	27.5
2	Rated current		A	2000
3	Rated frequency		Hz	50/60
4	Rated peak withstand current		kA	63
5	Rated short-time withstand current		kA	20
6	Rated short-circuit duration		s	4
7	Rated active load breaking current		A	2000
8	Rated loop breaking current		A	2000
9	Rated cable charging breaking current		A	21
10	5% rated active load breaking current		A	100
11	Rated short-circuit making current		kA	16
12	Main loop resistance		$\mu\Omega$	≤ 15
13	1min. PF withstand	Dry	phase to earth	95
			across open contacts	118
		Wet	phase to earth	80

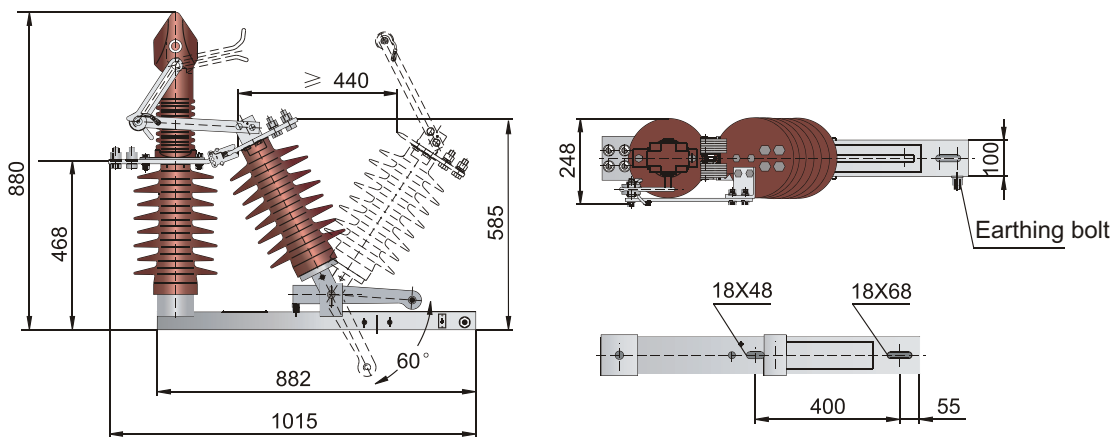
No.	Item		Unit	Data
14	Lightning impulse withstand voltage	phase to earth	kV	185
		across open contacts		215
15	Mechanism life		Times	10000
16	O/C time		s	≤5
17	Blade closing position deflexion		mm	≤2
18	Main blade press		N	1050 ± 100
19	Opening distance of blade		mm	≥440
20	Operating mechanism	Manual rated operating strength	N	≤120
		Control loop rated voltage	V	AC220
		Operating output moment	N m	300

Outline dimension



1. Blade 2. Vacuum chamber 3. Yoke lever
4. Terminal 5. Insulator 6. Frame

Drawing 1 Disconnect vacuum load break switch structure



Drawing 2 Disconnect vacuum load break switch outline dimension